

**EN Instructions for use:**

- These instructions cover the use of the DMM Vault. If in doubt please contact your supplier or DMM.
- Immediately before use, visually/functionally inspect to ensure that this product is in a serviceable condition and operates correctly. This inspection should be recorded on the inspection form supplied. We recommend a thorough inspection at least once every 6 months by a competent person (this may be the manufacturer).
- This product is designed for use in normal climatic conditions (-40°C - +50°C). It may be suitable for other conditions, please consult your supplier.
- No responsibility will be accepted by DMM for damage, injury or death resulting from misuse. If in doubt contact your supplier or DMM.
- No special transportation precautions are necessary; however, avoid all contact with chemical reagents or other corrosive substances.

**6. Maintenance and Servicing:** This product must not be marked, modified or repaired by the user unless authorised by DMM. **Note:** this product is not user maintainable with the exception of the following:

**6.1 Disinfection:** disinfect using a disinfectant containing quaternary ammonium compounds reinforced with chlorohexidine (e.g. Savlon) in sufficient quantities to be effective. Soak the product for 1 hour at dilutions recommended for general use using clean water as per (6.2) not exceeding 25°C then rinse thoroughly as per (6.2).

**6.2 Cleaning:** if soiled rinse in clean warm water of domestic supply quality (maximum temperature 25°C) with mild detergent at appropriate dilution (pH range 5.5 - 8.5). Thoroughly rinse and dry naturally in a warm ventilated room away from direct heat. Important: Cleaning is recommended after every use in a marine environment.

**6.3 Lubrication:** Lubricate the mechanism with a suitable lubricating oil. This should be carried out after cleaning. Cleaning and lubrication may cure a defective mechanism, if it does not, replace the product immediately. Lubrication is recommended after every use in a marine environment.

**6.4 Storage:** after any necessary cleaning store unpacked in a cool, dry, dark place in a chemically neutral environment away from excessive heat or heat sources, high humidity, sharp edges, corrosives or other possible causes of damage. Do not store wet.

**7. Explanation of Markings:**

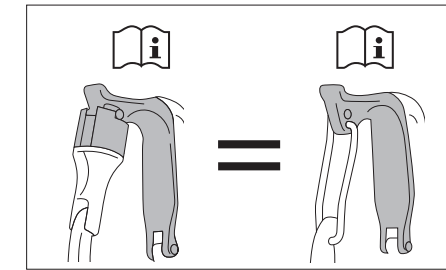
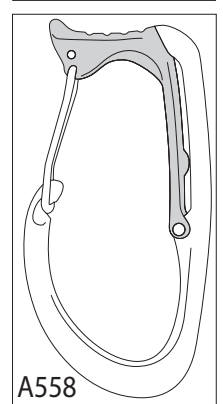
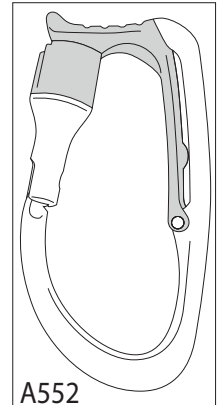
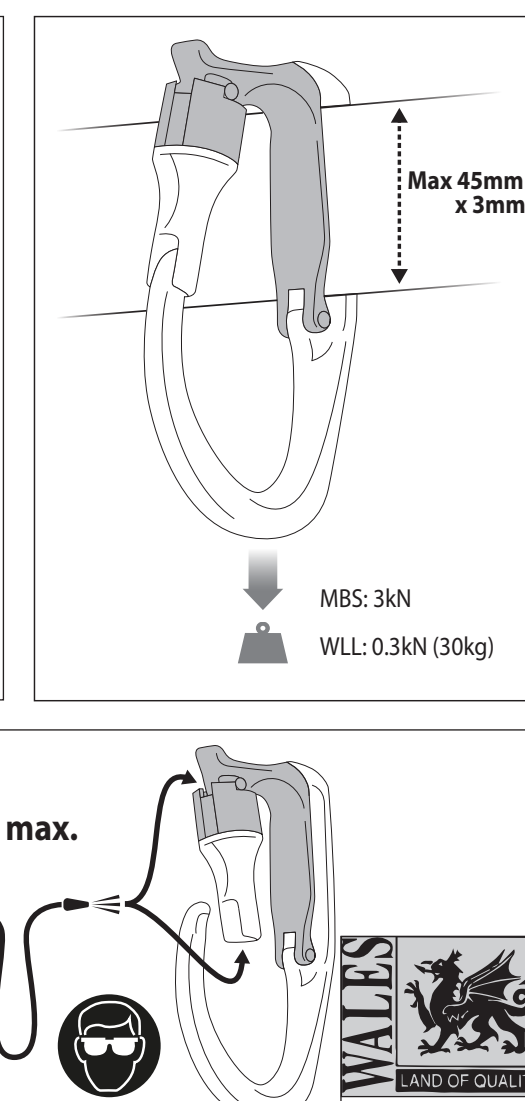
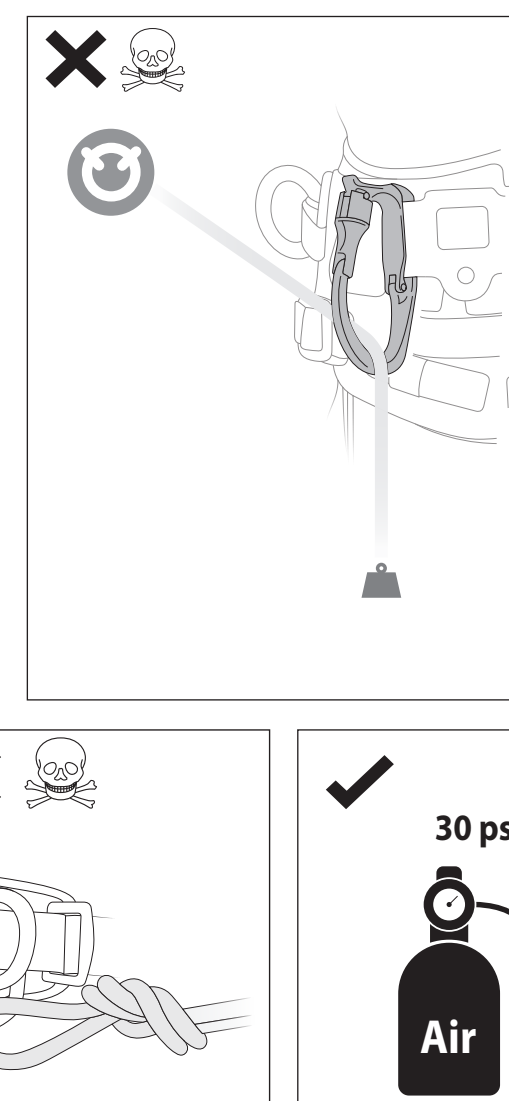
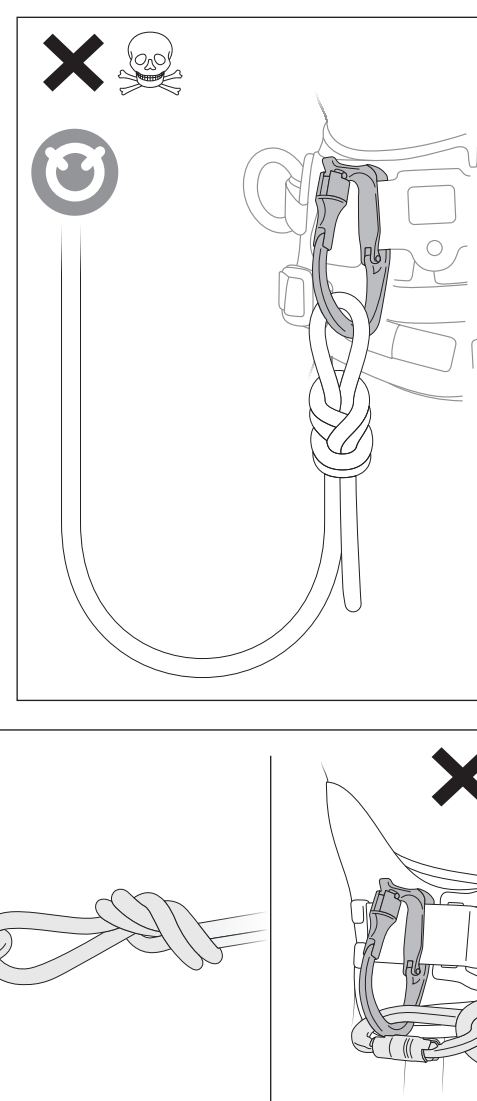
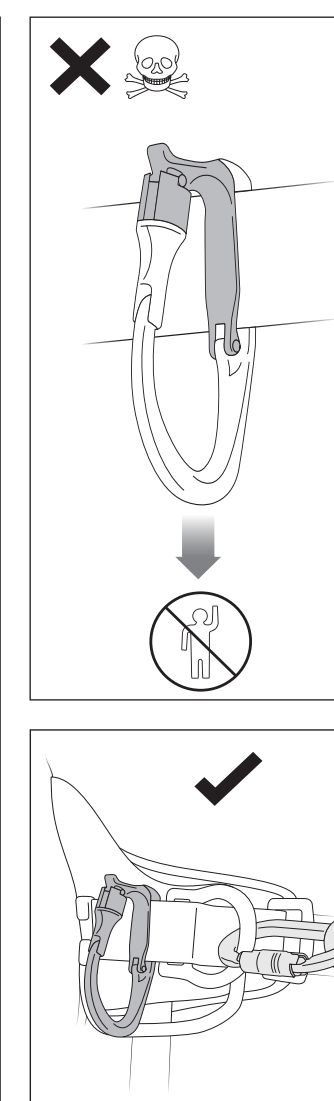
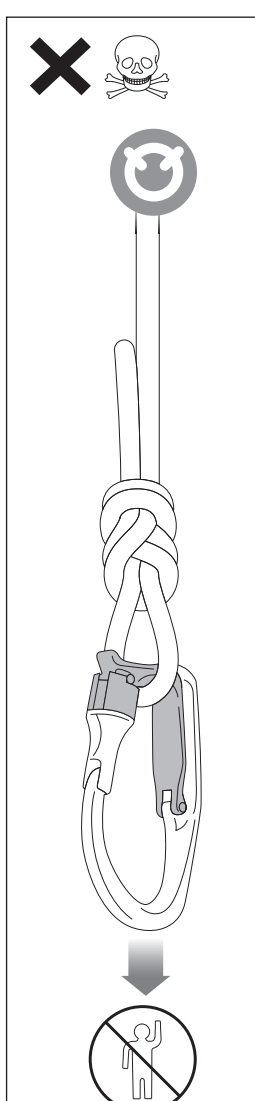
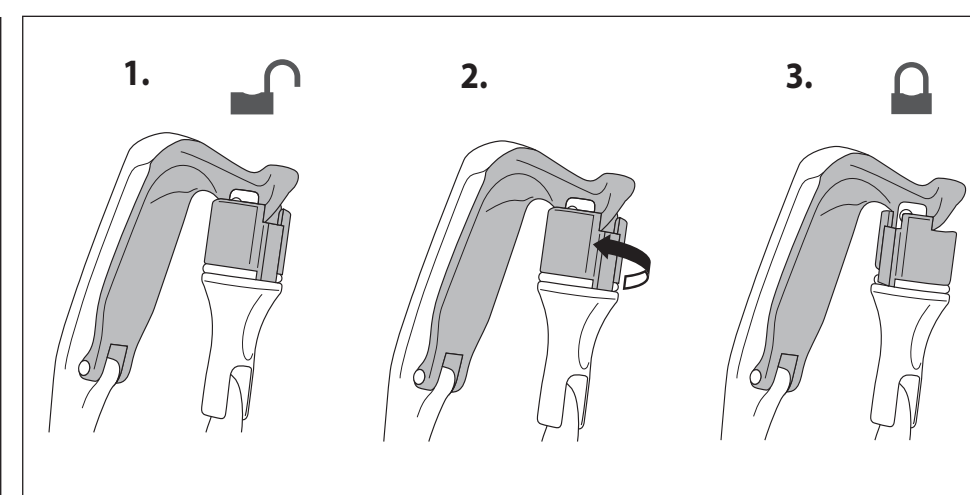
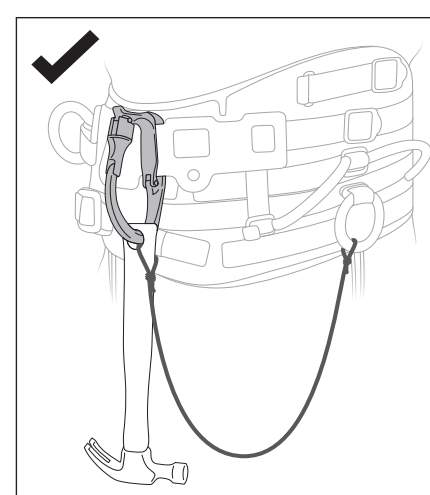
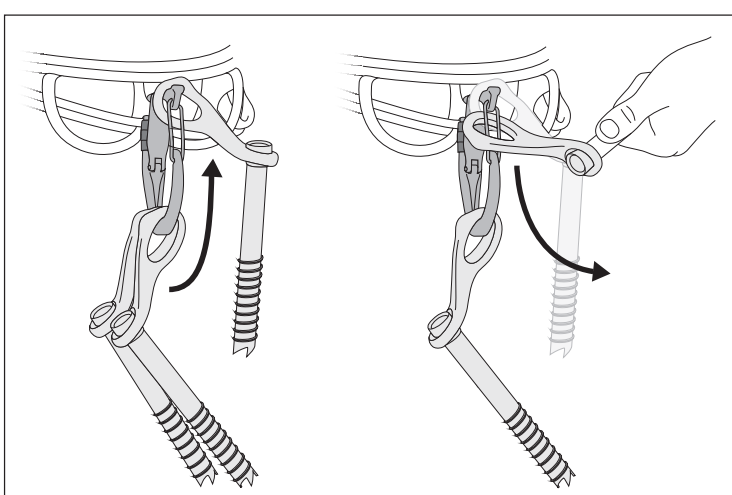
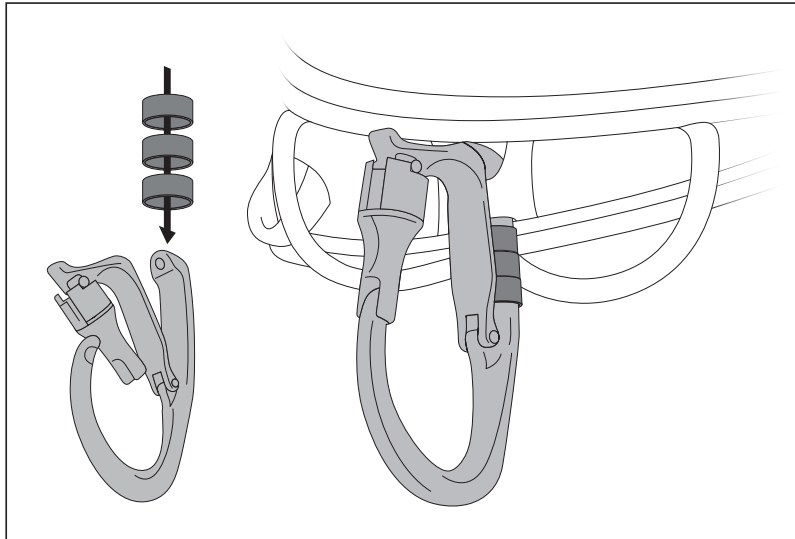
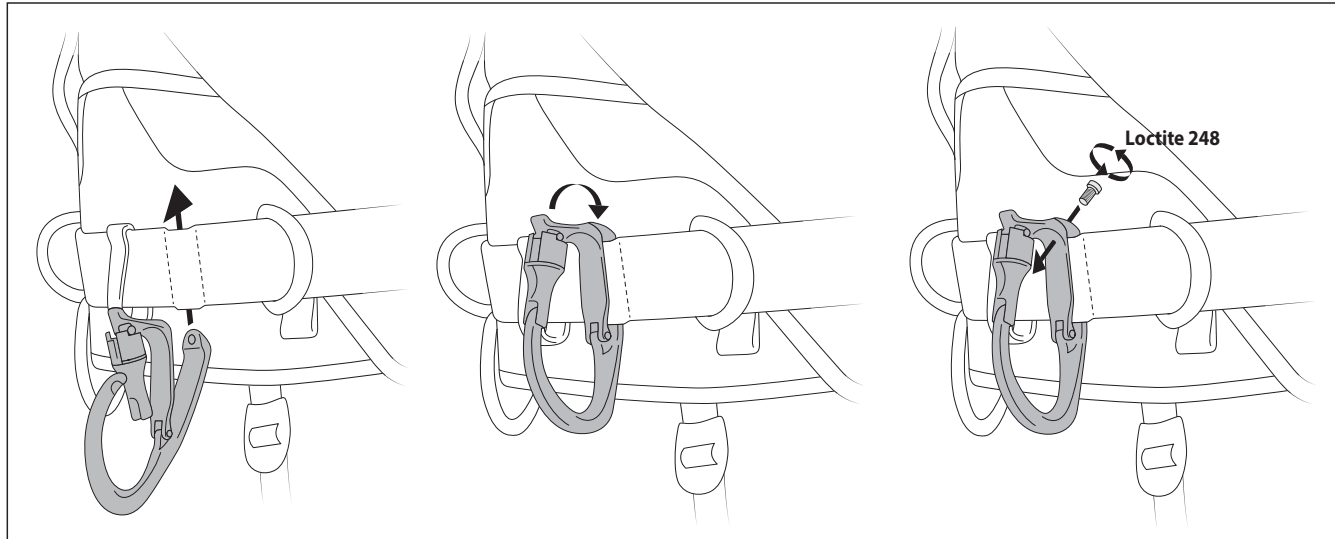
- DMM** - Name of manufacturer.
- Vault Axxx** - Product identification.
- MBSxkN** - Minimum breaking strength.
- WLL xxkN xxxkg** - Working Load Limit.

- Not PPE

**YRDAYXXXX#** - Year/Day of manufacture and individual serial number.

**Book Pictogram** - reminder that the end user should read & understand these Instructions.

**Guarantee:** DMM guarantees this product for 3 years against any defects in materials or manufacture. The guarantee does not cover this product for normal wear through usage, incorrect storage, poor maintenance, accidental damage, negligence, any modifications or alterations, corrosion, or for any usage for which the product was not designed.



web: [www.dmmwales.com](http://www.dmmwales.com)  
 e-mail: [post@dmmwales.com](mailto:post@dmmwales.com)  
 Tel: +44 (0) 1286 872 222  
 Fax: +44 (0) 1286 872 090

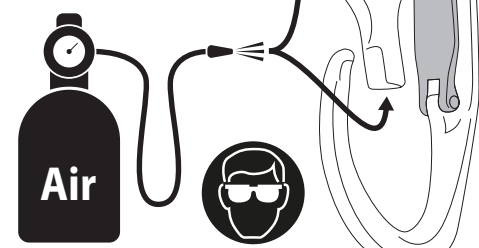
LL55 4EL,  
 UNITED KINGDOM,  
 LLANBERIS, GWYNEDD,  
**DMM**

**DMM**  
**Vault**  
**Accessory Tool Carrier**

Not PPE

EN, FR, DE, IT, ES, PT,  
 NL, NO, SV, FI, DK

30 psi max.



F510A+B/QA/04/Sep.2016

